

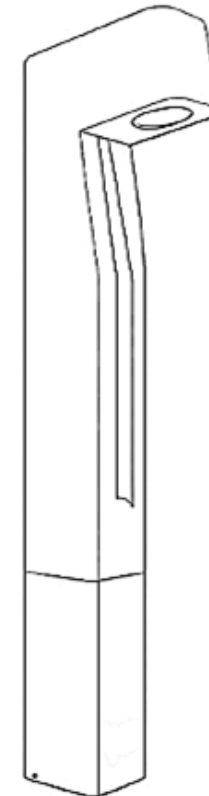
Safety & Maintenance

- Always ensure the power is switched off and allow the LED fixture to cool completely before carrying out any maintenance, cleaning, or adjustments.
- This product must be installed and serviced by a properly qualified and licensed electrician.
- Ensure the product is properly installed and confirmed safe for operation before reconnecting the electrical supply.
- Always use clean gloves when handling the fixture to prevent fingerprints, stains, or surface contamination.
 - Use microfiber cloths to remove dust.
 - Use a cleaner with antistatic properties for fingerprints and spots.
- Prevent flammable materials from accumulating on the luminaire housing.
- Prevent water or any other liquid from accumulating on the luminaire housing.
- Do not dispose with normal waste.



INSTALLATION AND MAINTENANCE MANUAL

LED BOLLARD LIGHT



Installation instructions

- Open the package, remove the fixture and all accessories, verify the package include the mounting bracket, anchors or bolts, (if applicable), Allen key, screws and connectors; place them on a clean flat surface in view until installation is complete, and ensure the necessary tools (e.g., screwdriver, drill with bit, level, ladder, electrical tester) before proceeding.

Wiring the fixture:

- Turn off the power supply before proceeding and connect the 230 VAC power (L and N) and the DALI control lines (DA/+ and DA/-) to the input side of the LED driver, and connect the low-voltage output (+ and -) to the LED module. (Refer to images 4 & 5)
- Confirm the fixture's compatibility, dimming functions, and wiring specifications before direct connection to the power supply.
- Refer to images for different configuration, **On/Off** (Refer to image 4); **Triac Dimming** (Refer to image 5); **1-10 V Dimming** (Refer to image 5); **DALI Dimming** (Refer to image 6) and ensure all connections are secure before turning on the power supply. (Refer to image 6)

Installation:

- Firstly, route the AC cable of the fixture through the designated opening. (Then follow [Wiring the fixture](#))
- Place the Bollard luminaire onto the installed base plate.
- Ensure the luminaire is properly aligned and stable before completing the installation.
- Once the base plate is secured into the aperture, align the four screw holes and fasten the plate to the luminaire using four M4×12 Allen-key screws. (Refer to image 2&3)

Note :

- Use only suitable rated IP connectors (minimum IP65 or above) for all electrical connections.
- Where remote controllers are used, they shall be installed within appropriately rated IP enclosures to ensure protection against environmental ingress

Installation Diagram

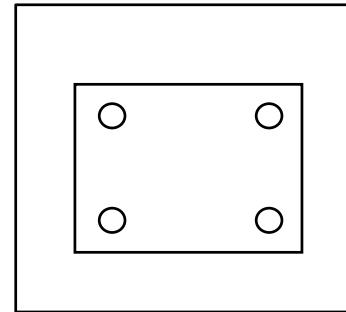


IMAGE 1

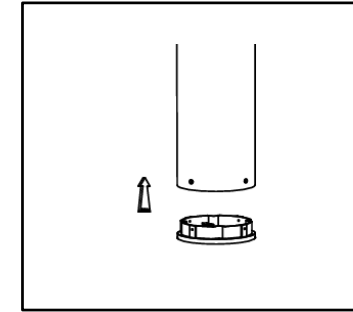


IMAGE 2

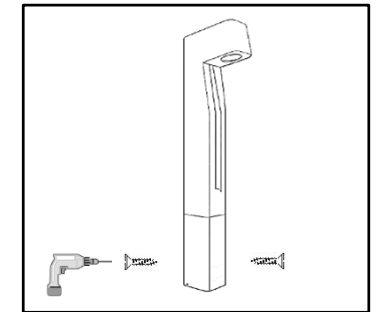


IMAGE 3

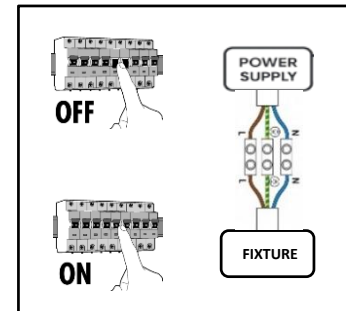


IMAGE 4

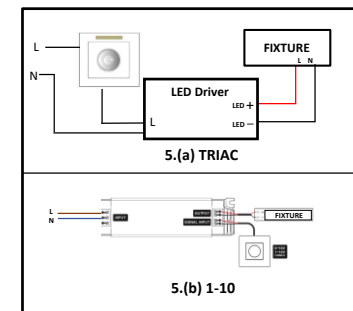


IMAGE 5

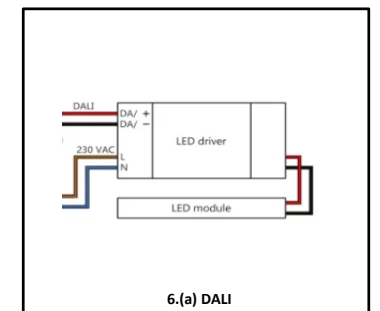


IMAGE 6

Dos and Don'ts

- Use only manufacturer-provided accessories to prevent damage and ensure proper functionality.
- Use waterproof connectors and accessories to maintain the fixture's IP rating and ensure proper protection.
- Avoid mounting on unstable, weak, or uneven surfaces that cannot support the fixture's weight.
- Overloading Electrical Circuit: Avoid connecting too many fixtures to a single circuit.
- **Avoid impacts and drilling, as exposed PCBs and drivers are vulnerable and easily damaged during installation or maintenance.**
- **Avoid lifting the fixture by its input cables to prevent damage to the wiring or internal connections.**
- **Do not install or operate this equipment near open flames or flammable materials to prevent fire hazards.(Refer to image 9)**
- **Avoid overtightening fasteners when mounting the luminaire, as excessive torque can damage the fixture or cause fastener failure.**

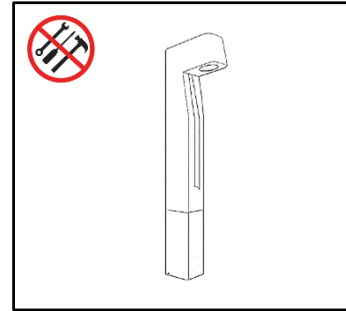


IMAGE 7

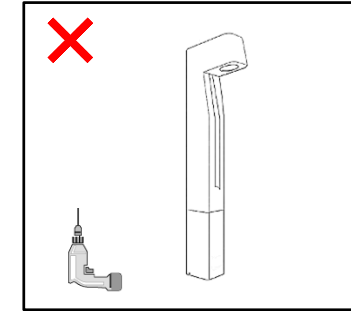


IMAGE 8

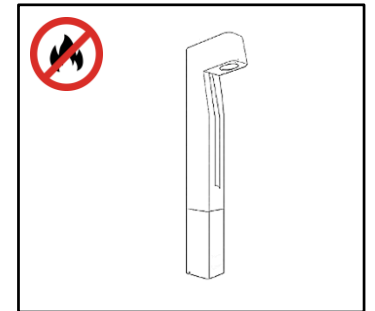


IMAGE 9