

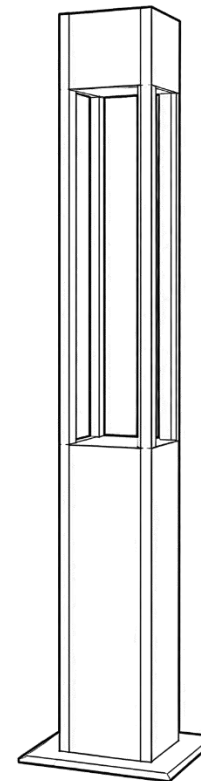
Safety & Maintenance

- Always ensure the power is switched off and allow the LED fixture to cool completely before carrying out any maintenance, cleaning, or adjustments.
- This product must be installed and serviced by a properly qualified and licensed electrician.
- Ensure the product is properly installed and confirmed safe for operation before reconnecting the electrical supply.
- Always use clean gloves when handling the fixture to prevent fingerprints, stains, or surface contamination.
 - Use microfiber cloths to remove dust.
 - Use a cleaner with antistatic properties for fingerprints and spots.
- Prevent flammable materials from accumulating on the luminaire housing.
- Prevent water or any other liquid from accumulating on the luminaire housing.
- Do not dispose with normal waste.



INSTALLATION AND MAINTENANCE MANUAL

LED Column Light



Installation instructions

- Open the package, remove the fixture and all accessories, verify the package include the mounting bracket, anchors or bolts, (if applicable), Allen key, screws and connectors; place them on a clean flat surface in view until installation is complete, and ensure the necessary tools (e.g., screwdriver, drill with bit, level, ladder, electrical tester) before proceeding.
- Take the dimensions of the base plate and securely fix it onto the installation surface. (Refer to image 2)

Wiring the fixture:

- Turn off the power supply before proceeding and connect the fixture's 'Live' wire to the power supply's live terminal and the 'Neutral' wire to the neutral terminal, ensuring correct polarity for safe operation. (Refer to images 4 & 5)
- Confirm the fixture's compatibility, dimming functions, and wiring specifications before direct connection to the power supply.
- Refer to images for different configuration, **On/Off** (Refer to image 4); **Triac Dimming** (Refer to image 5); **1–10 V Dimming** (Refer to image 5); **DALI Dimming** (Refer to image 6) and ensure all connections are secure before turning on the power supply.
- Route the AC wiring through the base aperture where the luminaire will be installed.

Installation:

- Place the Bollax luminaire onto the surface .
- Ensure the luminaire is properly aligned and stable before completing the installation.
- Once the base plate is secured within the aperture, align the three screw holes and fasten the base plate to Surface using the corresponding screws (Refer to images 2 & 3).

Note :

- Use only suitable rated IP connectors (minimum IP65 or above) for all electrical connections.
- Where remote controllers are used, they shall be installed within appropriately rated IP enclosures to ensure protection against environmental ingress

Installation Diagram

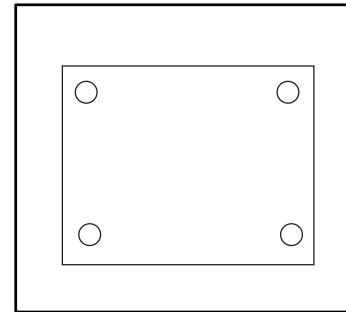


IMAGE 1

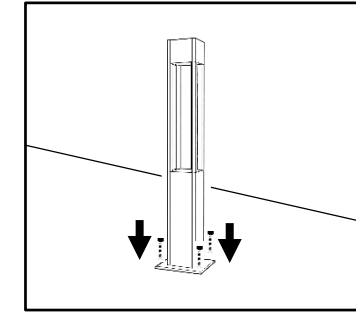


IMAGE 2

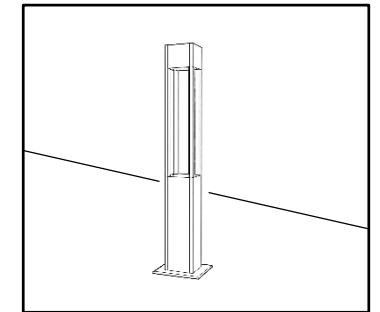


IMAGE 3

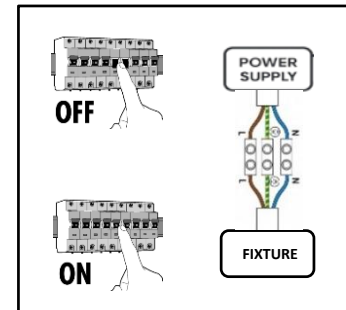


IMAGE 4

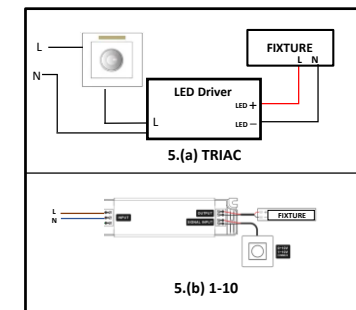


IMAGE 5

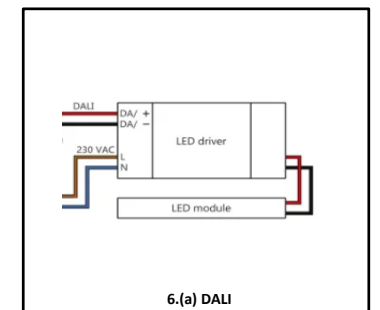


IMAGE 6

- Overloading Electrical Circuit: Avoid connecting too many fixtures to a single circuit.
- Use waterproof connectors and accessories to maintain the fixture's IP rating and ensure proper protection.
- **Any unauthorized modification of the fixture or non-compliance with the above instructions will result in voiding the product warranty.**
- **Avoid impacts and drilling, as exposed PCBs and drivers are vulnerable and easily damaged during installation or maintenance.**
- **Avoid lifting the fixture by its input cables to prevent damage to the wiring or internal connections.**
- **Do not apply any weight or pressure to the Bollax. This can cause damage to the fixture. (Refer to image 8)**
- **Do not install or operate this equipment near open flames or flammable materials to prevent fire hazards.(Refer to image 9)**
- **Avoid overtightening fasteners when mounting the luminaire, as excessive torque can damage the fixture or cause fastener failure.**

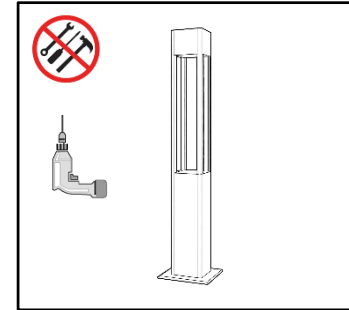


IMAGE 7

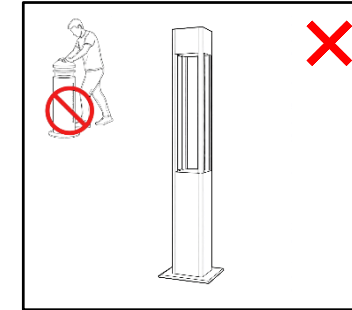


IMAGE 8

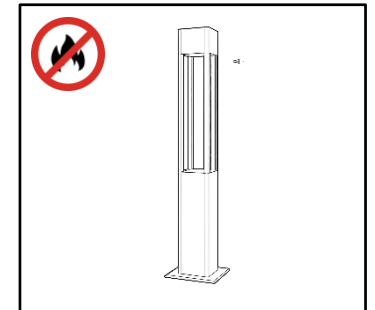


IMAGE 9