

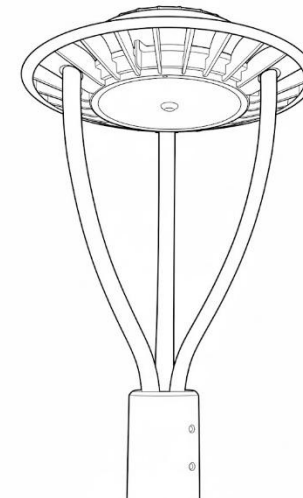
Safety & Maintenance

- Always ensure the power is switched off and allow the LED fixture to cool completely before carrying out any maintenance, cleaning, or adjustments.
- This product must be installed and serviced by a properly qualified and licensed electrician.
- Ensure the product is properly installed and confirmed safe for operation before reconnecting the electrical supply.
- Always use clean gloves when handling the fixture to prevent fingerprints, stains, or surface contamination.
 - Use microfiber cloths to remove dust.
 - Use a cleaner with antistatic properties for fingerprints and spots.
- Prevent flammable materials from accumulating on the luminaire housing.
- Prevent water or any other liquid from accumulating on the luminaire housing.
- Do not dispose with normal waste.



INSTALLATION & MAINTENANCE MANUAL

LED POLE TOP LIGHT



Installation instructions

- Open the package, remove the fixture and all accessories, verify the package include the mounting bracket, anchors or bolts, (if applicable), Allen key, screws and connectors; place them on a clean flat surface in view until installation is complete, and ensure the necessary tools (e.g., screwdriver, drill with bit, level, ladder, electrical tester) before proceeding.

Wiring the fixture:

- Turn off the power supply, then connect the fixture's Live, Neutral, and Ground wires to their respective terminals to the power supply, ensuring correct polarity for safe operation. (Refer to image 3)
- Before connecting the fixture directly to the power supply, confirm that it is compatible, check its wiring specifications, and refer to the configuration image for the **On/Off** setup. (Refer to image 3)

Installation:

- Route the AC cables from the luminaire to the pole. (then follow [Wiring the Fixture](#))
- Place the arm onto the pole, and secure it by tightening the M7x20 arm screws. Ensure it is aligned properly.
- After installation, turn on the power supply. (Refer to image 6)

Installation Diagram

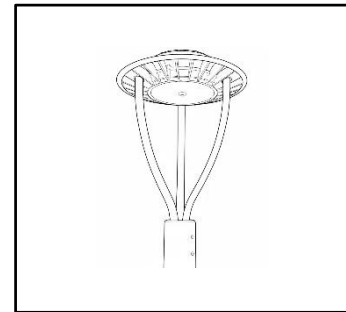


IMAGE 1

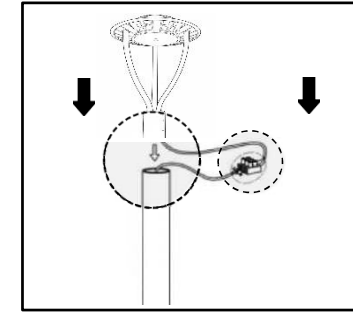


IMAGE 2

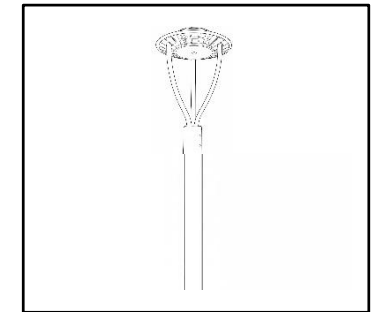


IMAGE 3

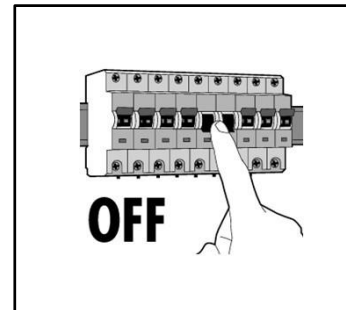


IMAGE 4

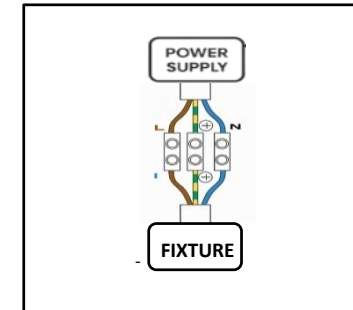


IMAGE 5

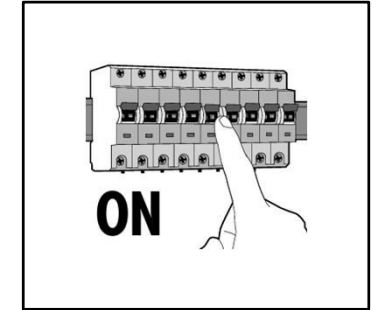


IMAGE 6

Dos and Don'ts

- Use only manufacturer-provided accessories to prevent damage and ensure proper functionality.
- Ensure the fixture is properly and securely grounded before use.
- Use waterproof connectors and accessories to maintain the fixture's IP rating and ensure proper protection.
- Avoid mounting on unstable, weak, or uneven surfaces that cannot support the fixture's weight.
- Overloading Electrical Circuit: Avoid connecting too many fixtures to a single circuit.
- **Any unauthorized modification of the fixture or non-compliance with the above instructions will result in voiding the product warranty.**
- **Avoid impacts and drilling, as exposed PCBs and drivers are vulnerable and easily damaged during installation or maintenance.**
- **Do not install or operate this equipment near open flames or flammable materials to prevent fire hazards. (Refer to image 9)**
- **Avoid lifting the fixture by its input cables to prevent damage to the wiring or internal connections.**
- **Avoid overtightening fasteners when mounting the luminaire, as excessive torque can damage the fixture or cause fastener failure. during installation or maintenance.**

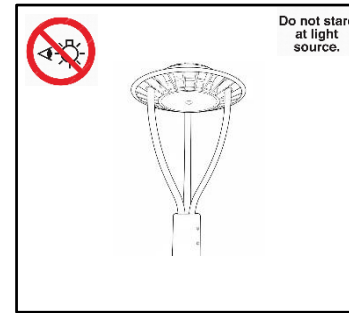


IMAGE 7

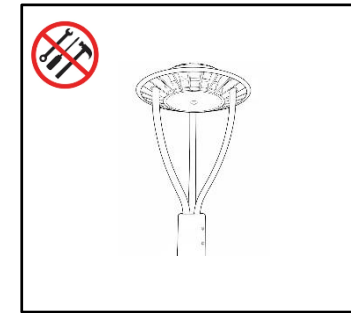


IMAGE 8

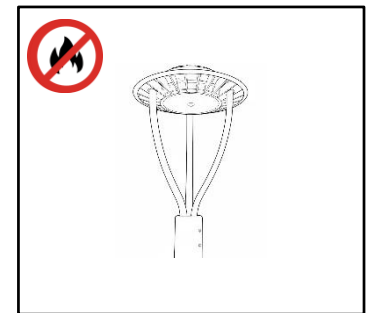


IMAGE 9